



## Design and Construction of An Aerosol Particle Classification System Based on Electrical Mobility

**Fatemeh Fasih-Ramandi**, Student Research Committee, (Department of Occupational Health), Shahid Beheshti University of Medical Sciences, Tehran, Iran.

**Mohammad-Javad Jafari**, Department of Occupational Health Eng, School of health and Safety, Shahid Beheshti University of Medical Sciences, Tehran, Iran.

⑩ **Asghar Sadighzadeh**, (\*Corresponding author), Nuclear Science and Technology Research Institute, Atomic Energy Organization of Iran, Tehran, Iran. [asadigzadeh@aeoi.org.ir](mailto:asadigzadeh@aeoi.org.ir)

**Soheila Khodakarim**, Department of Epidemiology, School of health and Safety, Shahid Beheshti University of Medical Sciences, Tehran, Iran.

**Hossein Yousefi**, Nuclear Science and Technology Research Institute, Atomic Energy Organization of Iran, Tehran, Iran.

### Abstract

**Background and aims:** The use of particles' electrical mobility in the electric field, has always been an important concern, as the functional basis of particle measuring and instrumentation's classification. The objective of this study was to design and construct an aerosol particles classification system, using electrical mobility feature on a laboratory scale.

**Methods:** With the collaboration of the Atomic Energy Organization of Iran and Shahid Beheshti University of Medical Sciences, the laboratory experimental study was carried out. The theoretical principles governing the development of the DMAs, the FORTRAN programming software and the Excel-2016 program were used for designing and constructing the DMA system. Using SOLIDWORKS-2017 software, the technical drawings of the DMA's constituent parts and laboratory layouts were carried out. In order to study the performance of the DMA system, the laboratory instrumentation including the particle generator, particle counter, dry and clean air supply system and high voltage power supply were prepared.

**Results:** The length of classification area, the central and outer electrodes were respectively, 160, 20 and 55 mm in diameter. The proposed DMA's efficiency in particle classification, was respectively between, 71.9% - 92.4 % in particle range of, 500 - 600 nm and 300 - 350 nm. Each range of particle sizes, at a specific voltage, lets the equipments reach their maximum efficiency.

**Conclusion:** The size distribution of the unknown particles can be determined by this device, knowing the peak voltage for a particular particle size. The good performance and wide range of particle size distribution, are the capabilities of the proposed DMA in the presented study.

**Conflicts of interest:** None

**Funding:** This study is related to the project NO. 1396/56497 From Student Research Committee, Shahid Beheshti University of Medical Sciences, Tehran, Iran.

We also appreciate the "Student Research Committee" and "Research & Technology Chancellor" in Shahid Beheshti University of Medical Sciences for their financial support of this study.

### Keywords

Particle Classification

Electrical Mobility

DMA

Aerosol

Particle Size

Distribution

Received: 2018/08/13

Accepted : 2019/07/1



## INTRODUCTION

The electrical mobility of a particle in an electric field is determined by its characteristic size. This feature forms the functional basis of a number of particle measurement instruments. The Differential Mobility Analyser (DMA), which is a powerful tool for research, application, aerosols' measurements and classifications, is one of the devices used for the research. This technique has recently attracted a lot of attention, because of its potential to be used in nanoparticle measurement (1).

The DMA is the most common instrument in the aerosol particles' classification and measurement, based on the electrical mobility of particles (2). It is possible to determine the size, numerical concentration and classification of aerosols, through the use of a DMA. A DMA can also be used to separate the monodisperse sections of unknown aerosols, (such as atmospheric aerosols), calibrate the equipment or to study the properties of aerosols. Hence, due to its wide dynamic range and ability to choose monodisperse particles from polydisperse (particles from polydisperse aerosol...) aerosol, it is said that a DMA, is one of the most versatile calibration tools (3).

In former designs, in order to obtain the electrical charge of the particles, the resulting monodisperse flow rate would be directed to a Faraday cup electrometer. In recent designs, the monodisperse output flow from the DMA device, is directed to a particle counter, and the numerical particles' concentration is measured afterwards.

As mentioned, the DMA has many advantages. Nevertheless, the literature review of Iran, shows no conducted studies on the construction of these devices. Therefore, the present study aims to design and construct a mobility differentiator analyser. Examining its efficiency and investigating its application, in the nanometer and micrometer range, determining the size distribution of the particles.

## METHODOLOGY

This experimental study was carried out in collaboration with the Atomic Energy Organization of Iran and Shahid Beheshti University of Medical Sciences in 2017-2018. The theoretical principles governing the development of a DMA, were extracted from texts and articles to determine the geometric dimensions and operating conditions of the proposed DMA. Then the technical drawings of the DMA's constituent parts, were carried out, and the DMA was built. To evaluate the performance of the proposed system in different electrical voltages, a laboratory layout was prepared. Various experiments were carried out to determine its efficiency in particle size distribution and classification. Statistical analysis were carried out, using the SPSS v22 and Excel 2016 software.

## Theoretical Principles of a DMA

When a charged particle is placed in an electric field, electrostatic forces are applied to the particle. Electrical mobility is defined as the velocity of a particle with a charge of  $ne$  in an electrical field, with a unit of intensity, Electrical mobility ( $Z_p$ ) in a DMA, is determined using the following equation (4):

$$Z_p = \frac{(Q_s + Q_a) \ln(R_2 / R_1)}{2\pi LV} \quad (1)$$

In this equation,  $R_1$  and  $R_2$  are the radii of the outer and inner electrodes (cylinders),  $L$  is the effective electrode length,  $V$  is the applied voltage,  $Q_a$  and  $Q_s$  are the airflow of aerosols and particle-free sheath air, respectively.

Electrical mobility is related to particle diameter  $d_p$ , and is determined by using Stokes' law, the following equation ( $Re < 0.1$ ) (4):

$$d_p = \frac{neC_c}{3\pi\mu Z_p} \quad (2)$$

Where  $C_c$  is the Cunningham slip correction factor, and  $\mu$  is the gas viscosity. Cunningham slip correction factor, is based on the following equation (2):

$$C_c = 1 + K_n [1.257 + 0.40 \exp(-1.10 / K_n)] \quad (3)$$

In the above equation,  $Kn$  is the Knudsen number, obtained using the following (2):

$$Kn = \frac{2\lambda}{d_p} \quad (4)$$

Here,  $\lambda$  is the mean free path of a gas molecule and  $d_p$  is the particle diameter. Under normal temperature and pressure conditions, the mean free path of a gas molecule is about 0.0686 micrometers (5).

## Design and Construction of a DMA

According to theoretical principles governing the design and construction of DMAs, the geometric and operational parameters of a DMA were calculated, using the FORTRAN programming software and Excel 2016.

Based on similar studies, a range of 10-25 mm for the inner electrode's radius, and a range of 25-55 mm for the outer electrode's radius was considered. FORTRAN was configured so as to repeat the calculations once per 5 mm. Also, a voltage range of 1-10 kV, with an interval of 100 V was considered. Default numerical calculations were performed on the smallest particle that the particle counter used in the study (which is a particle with a diameter of 260 nm) was able to count. Then programming was done to calculate the length of the classification area.

The technical drawings of the constituent parts of the DMA were carried out using SOLIDWORKS 2017 software and the assembly plan of the DMA was extracted, after determining the geometric dimensions and operating conditions of the device. The parts were constructed and assembled, on the basis of the drawings.

### Laboratory Layout

The laboratory instrumentation, including the particle generator, particle counter, dry and clean air supply system, high voltage power supply and other accessories were prepared in order to evaluate the performance of the proposed DMA. To supply aerosol flow in the size range of 0.15 - 3 micrometers with constant concentration of Dioctyl Phthalate (DOP) solution, a particle generator (TOPAS - ATM 225) was used. At the output of the DMA, a particle counter (GRIMM 7.309) was used to measure the numerical concentration of particles. The dry and clean air supply system (consisting of pumps, compressors to 50 l/m, silica gel and HEPA<sup>1</sup> filter) was used to provide airflow rates to the DMA. A high voltage direct current (DC) power supply was used to provide the potential differences of the DMA in the range of 1 - 10 kV. Other measuring equipment, such as a multi-meter and a flowmeter were prepared, they were connected by teflon connections and control valves. The temperature and relative humidity of the air flow were measured during tests. Temperature and relative humidity changes were negligible and in the range of 20.21 to 21.07 °C and 23.4% to 26.9%, respectively. Temperature and relative humidity were recorded by a Hygro Thermometer. After calibrating the equipment, their layout was determined.

### RESULT

Presented in Table (1), are the geometric and operational parameters of the proposed DMA. Based on the available instrumentation features and governing theories, these parameters were calculated. As can be seen in Table (1), the prototype DMA, respectively has a classification area length of 160 mm and a central and outer electrode diameters of 20 and 55 mm. These values were selected considering the defaults such as, flow rate of the Grimm particle counter and the need to observe isokinetic conditions.

The various components of the proposed DMA, includes a grounded 300 mm stainless steel cylinder that forms the outer electrode of the DMA, and a 239 mm long copper rod, which is used as the central electrode as it is a good electricity conductor. The flow of dry clean air and the aerosols from the particle generator, enters the DMA on the upper part. For this purpose, two pieces of Teflon, one 89×76 and

the other 76×65 mm in dimensions, were made. To uniform the distribution of airflow in the space between the central and outer electrodes, a perforated Teflon piece was placed in the clean air's entry path to the DMA. A 165 mm long sampling tube, made out of Teflon was placed at the end of the device in the direction of the central electrode. The tube, which was installed to guide the flow of classified DMA aerosols, sends the monodisperse aerosol in airflow through the central slot into the particle counter. The air flow and the flow of aerosols passes the central electrode and moves radially downwards. To provide a potential difference in the range of 1-10 kV and form an electric field inside the DMA, a high voltage DC power supply was connected to the central electrode.

While moving downwards, under the influence of this electric field the input particles are charged, due to their electrical mobility, they are separated from the airflow and are deflected to the central bar. Particles that had electrical mobility in a certain range, were directed to the particle counter via the sampling tube and their numerical concentration was determined. Excess airflow was also sent out of the DMA via the embedded outlet in the far end of the cylinder's lower wall. Obtained from the SOLIDWORKS software figure (1) shows the components and assembly design of the DMA.

At an airflow rate of 6.3 cm/s and by applying different voltages in the range of 1-10 kV, and at intervals of 0.5 kV, the efficiency of the DMA system was tested, to determine the size distribution of the input particles. The results of the experiments showed that, at a specific voltage, output particles from the DMA system, had a maximum amount in a very small domain, and was greater than the other particles. In other words, at a given voltage, this system acts as a filter for other particles and it won't let them pass, while allowing a certain range of particles exit. Thus, each domain of particle size, in any given voltage, will exit with maximum efficiency from the DMA system. For particles with a size of 260-300 nm at a voltage of 3 kV, the maximum system efficiency is 91%. The maximum efficiency of the output particles is reached at a higher voltage as the particles size is increased. This means that, particles larger than 2 microns are released at a voltage of 9.5 kV, with a maximum efficiency of 82.4%. The highest efficiency of the proposed DMA device is 92.4%, which was for the separation of 300-350 nm particles at a voltage of 3.5 kV. The lowest efficiency found, was 71.9% for particles of 500-600 nm at a voltage of 5 kV. Hence, in lower voltages, smaller particles, and at higher voltages, larger particles accounted for a greater portion of the output particle size distribution. At 7.5 Kv, the output particles were mostly sub-micron in size and at voltages higher than 7.5 Kv, particles were larger than a micron. According

<sup>1</sup> High Efficiency Particulate Air

to efficiency results, the proposed DMA system has a higher efficiency for sub-micron particles.

## DISCUSSION

Given the nature of the DMA system, the voltage at which the largest number of particles become visible at the output is important, since this indicates that, the input polydisperse particles have been transformed to monodisperse particles at the output. On the other hand, the input particles sizes were in a wide range from 260 nm to more than 2  $\mu\text{m}$ , even so most of the output particles were in a narrow range of particle sizes at any voltage. This means that, the DMA system successfully transforms polydisperse particles toward a monodisperse one in the majority of voltages. The same process was done at lower voltages, for smaller particles (nanometer particles) and at higher voltages, for larger particles (micron particles). This is because, in weaker electric fields, smaller particles reach their maximum charge capacity faster and obtain the necessary electrical mobility to exit the sampling gap, whereas larger particles, require stronger electric fields. Larger particles also have more mass and inertia, therefore stronger electric fields are needed, so they can be deflected from their course to the central electrode (6). This issue has also been reported in other studies such as Zhang *et al.* (1995) which showed that smaller particles at lower voltages, and larger particles at higher voltages, reached their highest number at the output (7). In a study conducted by Myojo *et al.* in which they determined the particle size distribution,

using a DMA device. It was concluded that particles with a size of 0.940, 1.008, 1.034, 1.099, 1.100 and 1.274 microns reached their highest number at the output of DMA device, at voltages of 5700, 6600, 7000, 8000, 7100 and 8400 volts respectively (8). These results are compatible with the present study's results.

## CONCLUSION

The present study describes a DMA system that can be used for the classification and determination of particle size distribution. For identifying the behavior of particles, the governing principles and the selection of appropriate collection mechanisms, determining the size distribution and numerical concentration of aerosol particles is important.

The study results shows that, it is possible to construct and develop such a system, by using existing equipment and facilities and applying the theoretical principles of DMA systems, as well as other devices that operate based on particle electrical mobility in an electrical field. The results also shows that, this DMA has a high efficiency in determining the distribution of particle sizes in the range of 260 nm to 2 microns. While the device can also act as a calibration tool and a monodisperse particle generator that functions from a polydisperse sample, this DMA device has a relatively simple structure for determining and classifying particle size distribution.

## CONFLICT OF INTEREST

The authors declare that there are no conflicts of interest regarding the publication of this manuscript.

## How to cite this article:

Fatemeh Fasih-Ramandi, Mohammad-Javad Jafari, Asghar Sadighzadeh, Soheila Khodakarim, Hossein Yousefi. Electrical Mobility Based Design and Construction of an Aerosol Particle Classification System. *Iran Occupational Health*. 2021 (01 Jan);18:2.



## طراحی و ساخت سیستم طبقه بندی ذرات آئروسول با استفاده از ویژگی تحرک الکتریکی

**فاطمه فصیح رامندی:** کارشناس ارشد، کمیته پژوهشی دانشجویان، گروه مهندسی بهداشت حرفه ای، دانشکده بهداشت و ایمنی، دانشگاه علوم پزشکی شهید بهشتی، تهران، ایران.  
**محمد جواد جعفری:** استاد، گروه مهندسی بهداشت حرفه ای، دانشکده بهداشت و ایمنی، دانشگاه علوم پزشکی شهید بهشتی، تهران، ایران.  
**اصغر صدیق زاده:** (\* نویسنده مسئول) استاد، پژوهشکده چرخه سوخت، پژوهشگاه علوم و فنون هسته ای، سازمان انرژی اتمی ایران، تهران، ایران. [asadigzadeh@aeoi.org.ir](mailto:asadigzadeh@aeoi.org.ir)  
**سهیلا خداکریم:** استادیار، گروه اپیدمیولوژی، دانشکده بهداشت و ایمنی، دانشگاه علوم پزشکی شهید بهشتی، تهران، ایران.  
**حسین یوسفی:** کارشناس ارشد، پژوهشکده چرخه سوخت، پژوهشگاه علوم و فنون هسته ای، سازمان انرژی اتمی ایران، تهران، ایران.

### چکیده

#### کلیدواژه‌ها

طبقه بندی ذرات  
تحرک الکتریکی  
DMA  
آئروسول  
اندازه ذرات

تاریخ دریافت: ۱۳۹۷/۵/۲۲

تاریخ پذیرش: ۱۳۹۸/۴/۱۰

**زمینه و هدف:** استفاده از تحرک الکتریکی ذراتی که در میدان الکتریکی قرار می‌گیرند، بعنوان اساس کار دسته ای از تجهیزات اندازه گیری و طبقه بندی ذرات همواره مورد توجه بوده است. از جمله ی این تجهیزات می توان به سیستم های تحلیل گر دیفرانسیلی تحرک الکتریکی ذرات اشاره نمود. همچنین با استفاده از سیستم های DMA تعیین اندازه، غلظت عددی و طبقه بندی آئروسول ها امکان پذیر می گردد. یاد آور می شود این مطالعه با هدف طراحی و ساخت سیستم طبقه بندی ذرات آئروسول، با استفاده از ویژگی تحرک الکتریکی در مقیاس آزمایشگاهی انجام گردیده است.

**روش بررسی:** این مطالعه تجربی در مقیاس آزمایشگاهی و در سازمان انرژی اتمی با همکاری دانشگاه علوم پزشکی شهید بهشتی در سال ۹۷-۱۳۹۶ انجام گرفت و به منظور طراحی و ساخت سیستم DMA از مبانی نظری حاکم بر شرایط عملیاتی سیستم DMA، نرم افزار FORTRAN و برنامه Excel-2016 استفاده گردید. نقشه های فنی قطعات تشکیل دهنده سیستم DMA و چیدمان آزمایشگاهی با استفاده از نرم افزار SOLIDWORKS-2017 ترسیم گردید و به منظور بررسی عملکرد سیستم DMA، مجموعه ای از تجهیزات آزمایشگاهی شامل، مولد ذرات، شمارنده ذرات، منبع تغذیه ولتاژ بالا و سیستم تامین جریان هوای پاک و خشک مورد استفاده قرار گرفت. پس از کالیبراسیون تجهیزات مورد استفاده، آزمایشات با تغییر شدت میدان الکتریکی در داخل سیستم جهت بررسی عملکرد آن در طبقه بندی و توزیع اندازه ذرات، انجام گرفت. و تجزیه و تحلیل آماری داده ها با استفاده از نرم افزار SPSS نسخه ۲۲ و Excel-2016 انجام شد.

**یافته ها:** طول ناحیه طبقه بندی و قطر الکتروود مرکزی و بیرونی این DMA بترتیب برابر با ۱۶۰، ۲۰ و ۵۵ میلیمتر بود. الکتروود بیرونی از جنس فولاد ضد زنگ و الکتروود مرکزی از جنس مس بود. نتایج حاصل از بررسی کارایی سیستم DMA، نشان داد که کارایی آن در طبقه بندی ذرات در محدوده ۷۱/۹ تا ۹۲/۴ درصد به ترتیب برای ذرات در دامنه ی ۵۰۰-۶۰۰ و ۳۵۰-۳۰۰ نانومتر می باشد. نتایج حاصل از آزمایشات نشان داد در هر ولتاژ معینی، ذرات خروجی از سیستم DMA در دامنه بسیار کوچکی، حداکثر مقدار را داشته و از سایر ذرات بیشتر است. به عبارت دیگر، سیستم DMA در هر ولتاژ معین برای سایر ذرات مانند فیلتر عمل کرده و از دریافت و عبور آنها جلوگیری می نماید، اما در همین حال به دامنه خاصی از ذرات اجازه خروج می دهد. به این ترتیب هر دامنه از اندازه ذرات، در یک ولتاژ خاص و با حداکثر کارایی از سیستم DMA خارج شدند، بطوریکه این سیستم ذرات ۳۰۰-۲۶۰ نانومتر و ذرات بزرگ تر از ۲ میکرون را به ترتیب در ولتاژ ۳ و ۹/۵ کیلوولت تفکیک نمود.

**نتیجه گیری:** مطالعه حاضر به توصیف سیستم تحلیل گر دیفرانسیلی تحرک الکتریکی جهت طبقه بندی و تعیین توزیع اندازه ذرات پرداخته است. نتایج مطالعه حاضر نشان داد که سیستم DMA ساخته شده کارایی بالایی در تعیین توزیع اندازه ذرات در ابعاد ۲۶۰ نانومتر تا ۲ میکرون دارد. در این سیستم با دانستن پیک ولتاژ برای یک اندازه خاص از ذرات، می توان توزیع اندازه ذرات مجهول را تعیین نمود. کارایی خوب و دامنه وسیع توزیع اندازه ذرات از قابلیت های DMA طراحی شده در این مطالعه می باشد.

**تعارض منافع:** گزارش نشده است.

**منبع حمایت کننده:** این مقاله حاصل طرح مصوب شورای پژوهشی کمیته پژوهشی دانشجویان دانشگاه علوم پزشکی شهید بهشتی به شماره ثبت ۵۶۴۹۷/ص/۱۳۹۶ است.

### شیوه استناد به این مقاله:

Fatemeh Fasih-Ramandi, Mohammad-Javad Jafari, Asghar Sadighzadeh, Soheila Khodakarim, Hossein Yousefi. Electrical Mobility Based Design and Construction of an Aerosol Particle Classification System. Iran Occupational Health. 2021 (01 Jan);18:2.

\*انتشار این مقاله به صورت دسترسی آزاد مطابق با CC BY-NC 4.0 صورت گرفته است



## مقدمه

هنگامی که ذرات در یک میدان الکتریکی قرار می‌گیرند با توجه به اندازه خود یک تحرک الکتریکی خواهند داشت که از ویژگی‌های هر ذره محسوب می‌شود. مقدار تحرک الکتریکی هر ذره با توجه به اندازه ذره متفاوت از تحرک الکتریکی سایر ذرات خواهد بود. این ویژگی اساس کار دسته‌ای از تجهیزات اندازه‌گیری ذرات را تشکیل می‌دهد. این ابزار یعنی دستگاه تحلیل‌گر دیفرانسیلی تحرک الکتریکی ذرات (DMA) وسیله‌ای قدرتمند در مطالعه، کاربرد، اندازه‌گیری و طبقه‌بندی آئروسول‌ها به شمار می‌رود. این تکنیک اخیراً به دلیل امکان کاربرد آن در اندازه‌گیری نانو ذرات در فناوری نانو، توجه زیادی را به خود جلب نموده است (۱).

قابلیت حرکت یا جنبش الکتریکی یک ذره در میدان الکتریکی، تحرک الکتریکی نامیده می‌شود و تاریخچه اندازه‌گیری آن به نیمه اول قرن بیستم میلادی بر می‌گردد. تحرک الکتریکی ذره در یک میدان الکتریکی، جزء مشخصه‌ی فیزیکی یک ذره به شمار می‌رود (۹-۱۲). دانشمندان بسیاری از این مشخصه، به منظور انجام مطالعات مختلف بر روی ذرات آئروسول، از جمله اندازه‌گیری بار الکتریکی ذرات و تعیین غلظت عددی و توزیع اندازه آن‌ها استفاده کرده، و اختراعات ارزشمندی به ثبت رسانده‌اند. بطوریکه هیووت (۱۹۵۷) اولین دستگاه اندازه‌گیری بار الکتریکی ذرات (۱۳)، لیو و پویی (۱۹۷۴) "تحلیل‌گر الکتریکی آئروسول" (EAA) (۱۴)، ناتسن و ویتبی (۱۹۷۵) دستگاه "اندازه‌گیری دیفرانسیلی تحرک ذرات (DMPS)" (۱۵) و ستو (۱۹۹۷) و همکاران دستگاه «تحلیل‌گر دیفرانسیلی تحرک الکتریکی کم فشار»<sup>۲</sup> LP-DMA (۱۶)، را طراحی و ساختند. در سال‌های اخیر نیز مطالعه بر روی این دستگاه ادامه یافته و شماری از طرح‌های جایگزین توسعه یافته‌اند.

دستگاه DMA یکی از رایج‌ترین وسایل مورد استفاده در طبقه‌بندی و اندازه‌گیری ذرات آئروسول، بر اساس خاصیت تحرک الکتریکی ذرات می‌باشد (۲). با استفاده از دستگاه‌های DMA تعیین اندازه، غلظت عددی و طبقه‌بندی آئروسول‌ها امکان‌پذیر می‌شود. همچنین آنها می‌توانند برای انتخاب بخش‌های تک‌توزیعی آئروسول‌های مجهول مثل آئروسول‌های جوی برای کالیبراسیون دستگاه یا مطالعات خواص آئروسول‌ها، مورد استفاده قرار گیرند. از این رو گفته می‌شود، دستگاه

DMA به دلیل دامنه‌ی وسیع دینامیکی اش و نیز به دلیل توانایی اش در انتخاب ذرات با یک اندازه معین از هر نوع آئروسولی، یکی از تطبیق‌پذیرترین ابزارهای کالیبراسیون محسوب می‌شود (۳). در طرح‌های اولیه این دستگاه، جریان هوای حاوی ذرات تک‌توزیعی، مستقیماً به سمت محفظه الکترومتر فارادی کاپ هدایت می‌شد، و در نتیجه بار الکتریکی کل ذرات بدست می‌آمد (۱۴). امروزه جریان هوا در دستگاه، به شمارنده ذرات هدایت و تراکم عددی ذرات اندازه‌گیری می‌شود.

هندسه اساسی دستگاه DMA، به صورت ساختار استوانه‌ای هم‌مرکز می‌باشد. دستگاه DMA شامل یک محفظه استوانه‌ای بیرونی و یک الکتروود مرکزی است که بصورت هم‌محور با استوانه قرار گرفته و در بخش تحتانی آن، شکاف نمونه برداری قرار دارد. ذرات چندتوزیعی از طریق ورودی آئروسول داخل شده و به غلاف جریان هوا می‌پیوندند. ولتاژ بالای الکتریکی (V) به الکتروود مرکزی که از لحاظ الکتریکی نسبت به بقیه بخش‌های طبقه‌بندی کننده، عایق شده اعمال می‌گردد، و میدان الکتریکی شعاعی بین الکتروود مرکزی و الکتروود بیرونی متصل به زمین ایجاد می‌شود. هنگامیکه آئروسول‌ها به داخل ناحیه طبقه‌بندی می‌روند، ذرات با قطبیت مناسب به سمت الکتروود مرکزی کشیده می‌شوند. ذرات بسته به تحرک الکتریکی شان مسیرهای مختلفی را دنبال می‌کنند. ذرات با تحرک الکتریکی بالا به سرعت در مسیر شعاعی حرکت می‌کنند و بر روی الکتروود مرکزی که در بالادست شکاف نمونه برداری است، نشست می‌کنند. ذرات با تحرک الکتریکی کم بر روی بخش‌های پایینی الکتروود مرکزی قرار می‌گیرند و از شکاف خروج هوای اضافی عبور می‌کنند. فقط آن دسته از ذراتی که تحرک الکتریکی شان در محدوده خاصی است از خروجی شکاف نمونه بردار عبور کرده و ذرات طبقه‌بندی شده نامیده می‌شوند. این ذرات به سمت دستگاه شمارنده ذرات هدایت می‌شوند، تا تراکم عددی ذرات مشخص گردد. اندازه ذرات بر اساس میزان تحرک الکتریکی شان، اختلاف پتانسیل اعمالی و نرخ جریان هوا تعیین می‌گردد (۱۵).

علیرغم مزیت‌های مطرح در خصوص دستگاه‌های DMA در طبقه‌بندی و تعیین توزیع اندازه ذرات به ویژه برای ذرات در ابعاد نانومتری، بر اساس بررسی متون صورت گرفته در ایران، مطالعه‌ای در خصوص ساخت این دستگاه‌ها در کشور مشاهده نگردید. لذا این مطالعه با هدف طراحی و ساخت سیستم تحلیل‌گر دیفرانسیلی

1 Electrical Aerosol Analyzer (EAA)

2 Low Pressure Differential Mobility Analyzer (LPDMA)

$$d_p = \frac{neC_c}{3\pi\mu Z_p} \quad (3)$$

در این رابطه،  $C_c$  فاکتور تصحیح لغزش کانینگهام و  $\mu$  گرانروی هوای حامل ذره می باشد. ضریب تصحیح لغزش کانینگهام از رابطه ذیل محاسبه می گردد (۲):

$$C_c = 1 + K_n [1.257 + 0.40 \exp(-1.10 / K_n)] \quad (4)$$

$K_n$  عدد نادسن<sup>۱</sup> می باشد و از رابطه ۵ محاسبه می گردد (۲):

$$Kn = \frac{2\lambda}{d_p} \quad (5)$$

در این رابطه،  $\lambda$  مسافت آزاد میانگین مولکول های هوا و  $d_p$  قطر ذره می باشد. در دما و فشار معمول یعنی شرایط متعارف، مسافت آزاد میانگین در هوا حدوداً  $0.0686 \mu\text{m}$  میکرومتر است (۵).

#### طراحی و ساخت دستگاه DMA

با توجه به مبانی نظری حاکم بر طراحی و ساخت سیستم DMA، پارامترهای هندسی و عملیاتی دستگاه DMA، محاسبه گردید، به همین منظور نرم افزار برنامه نویسی FORTRAN<sup>2</sup> و برنامه Excel-2016 مورد استفاده قرار گرفت. FORTRAN نخستین زبان برنامه نویسی سطح بالا است که زبانی ساده و محاسباتی می باشد و اغلب با قابلیت فوق العاده در مورد اعداد، معرفی می گردد (۱۷).

از این رو با الگو گرفتن از مطالعات قبلی محدوده ۲۵-۱۰ میلیمتر برای شعاع الکتروود داخلی و ۵۵-۲۵ میلیمتر برای شعاع الکتروود خارجی در نظر گرفته شد. بطوریکه به ازای هر ۵ میلیمتر یک بار محاسبات تکرار گردید. همچنین محدوده ولتاژ از ۱۰-۱ کیلوولت به فواصل ۱۰۰ ولت در نظر گرفته شد. پیش فرض محاسبات عددی برای کوچک ترین ذره قابل شمارش توسط دستگاه شمارنده ذرات مورد استفاده در مطالعه، که ذره ای به قطر ۲۶۰ نانومتر می باشد، انجام گرفت و برنامه نویسی برای محاسبه طول ناحیه طبقه بندی صورت گرفت. خروجی نرم افزار FORTRAN بالغ بر ۵۰۰ رکورد بود که پس از مرتب کردن اعداد و حذف رکوردهای نامعقول، تعداد ۱۶ رکورد باقی ماند. رکوردهای باقیمانده جواب های قابل

تحرك الكتریکی ذرات، بررسی کارایی آن و توسعه استفاده از این سیستم ها در کشور با توجه به دامنه وسیع کاربرد آن برای توزیع اندازه ذرات در ابعاد نانو و میکرومتر انجام گردید.

#### روش کار

این مطالعه، از نوع تجربی بوده که در مقیاس آزمایشگاهی در پژوهشگاه علوم و فنون هسته ای سازمان انرژی اتمی، با همکاری دانشگاه علوم پزشکی شهید بهشتی در سال ۹۷-۱۳۹۶ انجام گرفت. از مبانی نظری حاکم بر طراحی و ساخت سیستم DMA، به منظور تعیین شرایط هندسی و عملیاتی دستگاه استفاده شد، سپس نقشه فنی قطعات تشکیل دهنده دستگاه ترسیم و نسبت به ساخت دستگاه اقدام گردید. چیدمان آزمایشگاهی مربوط به بررسی عملکرد سیستم ساخته شده در شدت های مختلف میدان الکتریکی تهیه و آزمایشات مختلفی به منظور بررسی کارایی آن در طبقه بندی ذرات انجام گرفت. داده ها به کمک نرم افزار SPSS نسخه ۲۲ مورد تجزیه و تحلیل آماری قرار گرفتند.

#### مبانی نظری حاکم بر دستگاه DMA

هنگامی که یک ذره باردار در یک میدان الکتریکی قرار گیرد، از طرف این میدان بر ذره نیروی الکترواستاتیکی (F) وارد می شود (۶):

$$\vec{F} = n_p e \vec{E} \rightarrow \vec{F} = \vec{E} q \quad (1)$$

در این رابطه q بار ذره بر حسب کولن، n تعداد بار الکتریکی، e بار ناشی از یک الکترون ( $e = 1.6 \times 10^{-19}$ ) و E شدت میدان الکتریکی می باشد.

قابلیت حرکت (تحرك یا جنبش) الکتریکی به صورت سرعت ذره ای با بار ne در یک میدان الکتریکی به شدت واحد تعریف می شود (۶)، تحرك الکتریکی ذرات ( $Z_p$ ) در دستگاه DMA از رابطه ذیل محاسبه می شود (۴):

$$Z_p = \frac{(Q_s + Q_a) \ln(R_2 / R_1)}{2\pi LV} \quad (2)$$

در این رابطه،  $R_1$  و  $R_2$  شعاع الکتروود بیرونی و مرکزی، L طول موثر الکتروود مرکزی، V ولتاژ اعمالی و  $Q_a$  و  $Q_s$  به ترتیب نرخ جریان آئروسول ها و جریان هوا می باشند.

تحرك الکتریکی وابسته به قطر ذرات ( $d_p$ ) است. بنابراین با توجه به قانون استوکس ( $Re < 0.1$ ) (۴):

1 Knudsen number

2 Formula Translation

ذرات GRIMM و لزوم رعایت شرایط ایزوکینتیک (۱۸)، دستگاه ساخته شده دارای طول ناحیه طبقه بندی ۱۶۰ میلیمتر، قطر الکتروود مرکزی و بیرونی به ترتیب ۲۰ و ۵۵ میلیمتر می باشد.

اجزاء مختلف دستگاه DMA ساخته شده شامل یک استوانه فولادی ضد زنگ به طول ۳۰۰ میلیمتر می باشد که الکتروود بیرونی دستگاه DMA را تشکیل می دهد و به زمین اتصال دارد، و یک میله مسی به طول ۲۳۹ میلیمتر که رسانای خوب جریان برق است، و به عنوان الکتروود مرکزی استفاده شد. جریان آئروسول های تولید شده از دستگاه مولد ذرات و جریان هوای خشک و تمیز از قسمت فوقانی وارد دستگاه می شدند. به همین منظور دو قطعه به ابعاد ۷۶×۸۹ و ۶۵×۷۶ میلیمتری از جنس تفلون ساخته شد.

به منظور توزیع یکنواخت جریان هوا در فضای بین الکتروود مرکزی و بیرونی، در مسیر ورود جریان هوای تمیز به دستگاه، قطعه ای غربالی و از جنس تفلون قرار گرفت. در راستای الکتروود مرکزی و در بخش انتهایی دستگاه، لوله نمونه بردار به طول ۱۶۵ میلیمتر، از جنس تفلون جاسازی شد. این لوله که به منظور هدایت جریان آئروسول های طبقه بندی شده دستگاه DMA تعبیه شده بود، جریان هوای تفکیک شده توسط دستگاه را از طریق شکاف مرکزی به دستگاه شمارنده ذرات می فرستاد. به این ترتیب جریان هوا و جریان آئروسول ها از روی الکتروود مرکزی عبور داده و به صورت شعاعی به سمت پایین حرکت می کردند. به الکتروود مرکزی، منبع تغذیه ولتاژ بالای DC که قادر به تامین اختلاف پتانسیل در محدوده ۱۰-۱ کیلوولت بود، متصل گردید تا میدان الکتریکی در داخل دستگاه تشکیل شود. ذرات ورودی تحت تاثیر این میدان الکتریکی، باردار شده و ضمن حرکت به سمت پایین به دلیل تحرک الکتریکی شان از جریان هوا جدا شده و به سمت میله مرکزی منحرف می شدند. ذراتی که دارای تحرک الکتریکی در یک دامنه محدود بودند از طریق لوله ی نمونه بردار به دستگاه شمارنده ذرات هدایت شده و غلظت عددی آن ها مشخص گردید. جریان هوای اضافی نیز از طریق خروجی تعبیه شده در انتهایی ترین بخش دیواره تحتانی استوانه، به خارج از دستگاه فرستاده می شد. شکل شماره ۲ قطعات تشکیل دهنده و طرح مونتاژی دستگاه DMA، حاصل از نرم افزار SOLID-WORKS را نشان می دهد.

کارایی سیستم DMA ساخته شده به منظور طبقه بندی ذرات ورودی در سرعت جریان هوای ۶/۳

قبول طول ناحیه طبقه بندی دستگاه DMA می باشند. این اعداد در محدوده ۲۵۳/۷-۱۰۴/۸ میلیمتر برای ولتاژهای مختلف در محدوده بین ۴۲۰۰-۲۷۰۰ ولت، دبی جریان هوا و جریان آئروسول ها به ترتیب ۷/۱۶ و ۰/۷۱۶ لیتر بر دقیقه، قطر میله مرکزی و استوانه به ترتیب ۲۰ و ۵۵ میلیمتر، برای جداسازی ذره ای به قطر ۲۶۰ نانومتر می باشند (۱۸).

پس از تعیین ابعاد هندسی و شرایط عملیاتی دستگاه، نقشه های فنی قطعات تشکیل دهنده آن به کمک نرم افزار SOLIDWORKS-2017 ترسیم و طرح مونتاژی دستگاه DMA، استخراج گردید. ساخت و مونتاژ قطعات بر اساس نقشه های ترسیم شده، انجام شد.

### چیدمان آزمایشگاهی

به منظور بررسی عملکرد سیستم DMA ساخته شده، از سایر تجهیزات آزمایشگاهی متشکل از دستگاه مولد ذرات آئروسول (مدل TOPAS- ATM 225) جهت تامین نرخ جریان آئروسول ها در محدوده اندازه ۳-۱۵/۰ میکرون با غلظت ثابت از محلول DOP<sup>2</sup>، دستگاه شمارنده ذرات کالیبره شده (مدل GRIMM7.309)، به منظور تعیین تراکم عددی ذرات، سیستم تامین هوای خشک و تمیز (متشکل از پمپ، کمپرسور با دبی تا ۵۰ لیتر بر دقیقه، سیلیکاژل و فیلتر هپا<sup>۳</sup>) به منظور تامین نرخ جریان هوای ورودی به دستگاه DMA، منبع تغذیه ولتاژ بالا با جریان مستقیم (DC<sup>4</sup>) به منظور تامین اختلاف پتانسیل مورد نیاز دستگاه DMA در محدوده ۱۰-۱ کیلوولت و سایر تجهیزات سنجشگر از قبیل مولتی متر و فلومتر تهیه و مطابق شکل شماره ۱ به وسیله اتصالات تفلونی و شیرهای کنترلی به یکدیگر متصل شدند.

تغییرات دما و رطوبت نسبی جریان هوا حین انجام آزمایشات ناچیز و به ترتیب در محدوده ۲۰/۲۱ تا ۲۱/۰۷ درجه سانتیگراد و ۲۳/۴ تا ۲۶/۹ درصد بوده و وسیله Hy-gro-Thermometer ثبت گردید.

### یافته ها

پارامترهای هندسی و عملیاتی سیستم DMA حاصل از نرم افزار FORTRAN در جدول شماره ۱ ارائه شده است. همانطور که در جدول شماره ۱ ملاحظه می گردد، با در نظر گرفتن پیش فرض هایی چون دبی دستگاه شمارنده

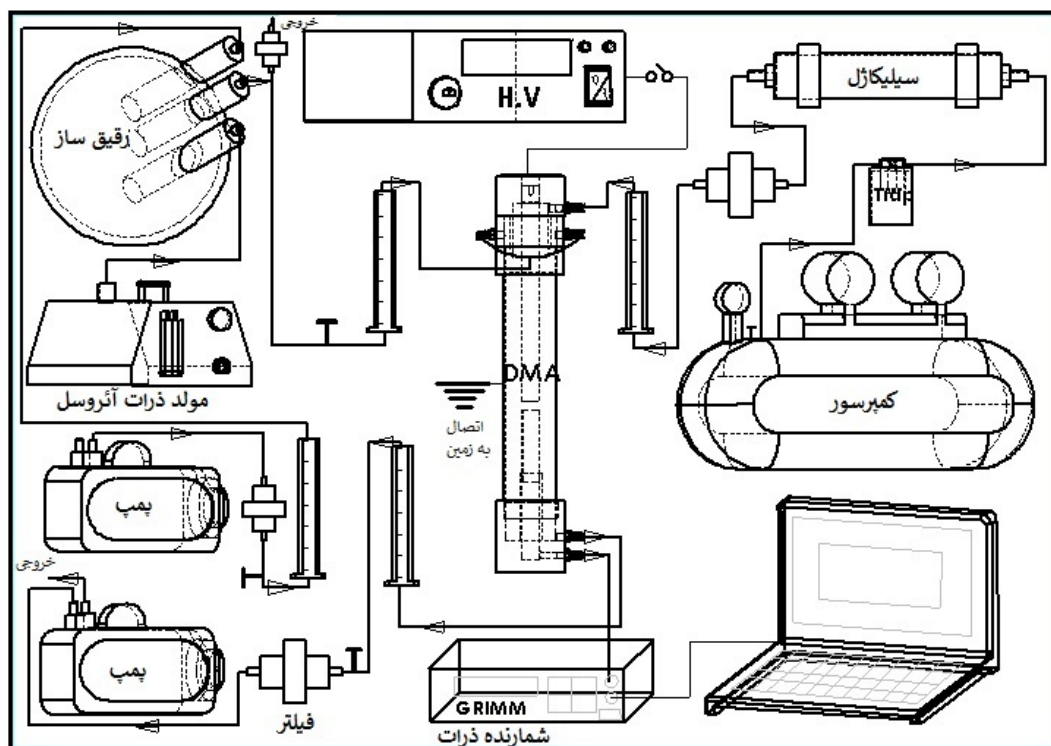
1 Setup

2 Dioctyl Phthalate

3 HEPA=High Efficiency Particulate Air Filters

4 Direct Current





شکل ۱. تجهیزات آزمایشگاهی مطالعه

جدول ۱. پارامترهای هندسی و عملیاتی سیستم DMA

| مقادیر                  | پارامترهای هندسی و عملیاتی |           |                                  | ردیف |
|-------------------------|----------------------------|-----------|----------------------------------|------|
|                         | واحد                       | نماد      | عنوان                            |      |
| ۲۰                      | mm                         | $D_w$     | قطر الکتروود مرکزی               | ۱    |
| ۵۵                      | mm                         | $D_t$     | قطر الکتروود بیرونی              | ۲    |
| ۲۶۰                     | nm                         | $d_p$     | اندازه ذره                       | ۳    |
| $179253/8$              | v/m                        | $E$       | شدت میدان الکتریکی               | ۴    |
| $1/61 \times 10^{-19}$  | C                          | $e$       | واحد بار الکتریکی                | ۵    |
| $9 \times 10^6$         | $N.m^2/c^2$                | $K_E$     | ضریب ثابت تناسب                  | ۶    |
| $6/3$                   | -                          | $n$       | تعداد بار الکتریکی*              | ۷    |
| $1/80 \times 10^{-5}$   | $Kg/ms$                    | $\mu$     | گرانروی گاز حامل ذره (هوا)       | ۸    |
| $0/0686$                | $\mu m$                    | $\lambda$ | میانگین پوشش آزاد مولکول های هوا | ۹    |
| $0/5277$                | -                          | $K_n$     | عدد نادسن*                       | ۱۰   |
| $1/6895$                | -                          | $C_c$     | فاکتور تصحیح لغزش کانینگهام*     | ۱۱   |
| $3/8878 \times 10^{-8}$ | $m^2/v.s$                  | $Z_p$     | تحرك الکتریکی                    | ۱۲   |
| $0/0011 - 0/0085$       | -                          | $Re$      | عدد رینولدز*                     | ۱۳   |
| ۱۶۰                     | mm                         | $L$       | طول ناحیه طبقه بندی              | ۱۴   |

\* بدون بُعد

آمارهای توصیفی مربوط به کارایی سیستم DMA که به صورت نسبتی از ذرات ورودی به دستگاه به ذرات خروجی از آن ضریب صد و برای هر دامنه از اندازه ذرات جداگانه محاسبه گردیده بود، در جدول شماره ۲ ارائه شده است. در این جدول مقادیر مربوط به کارایی در ولتاژهای بالاتر از

سانتیمتر بر ثانیه، با اعمال ولتاژهای مختلف در محدوده ۱۰-۱ کیلوولت و به فواصل نیم کیلوولت، مورد آزمایش قرار گرفت. نتایج حاصله از آزمون کولموگراف اسمیرنوف نشان داد که توزیع داده های مرتبط با کارایی، نرمال نمی باشد ( $P\text{-value} < 0.001$ ).

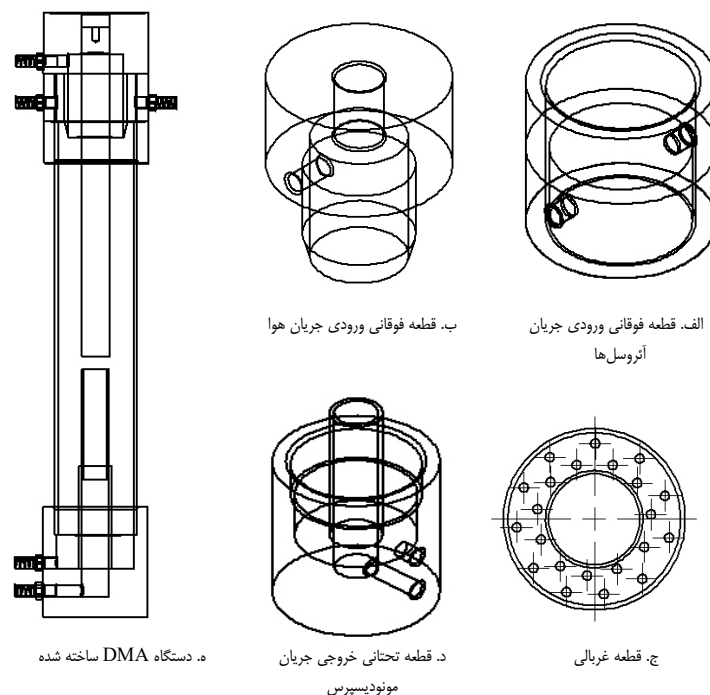
شده اند. بالاترین مقدار مربوط به کارایی دستگاه ساخته شده، ۹۲/۴ درصد می باشد که برای تفکیک ذرات ۳۵۰-۳۰۰ نانومتر در ولتاژ ۳/۵ کیلوولت بوده و کمترین مقدار آن مربوط به کارایی ۷۱/۹ درصد می باشد که به تفکیک ذرات ۶۰۰-۵۰۰ نانومتر در ولتاژ ۵ کیلوولت مربوط بوده است. بنابراین، با توجه به نتایج در ولتاژهای کمتر، ذرات کوچکتر سهم بیشتری از توزیع اندازه ذرات خروجی از سیستم را به خود اختصاص داده اند، در حالی که هر چه ولتاژ افزایش یافته سهم ذرات درشت تر در توزیع اندازه ذرات خروجی بیشتر گشته است. بطوریکه تا ولتاژ ۷/۵ کیلوولت، غالب ذرات خروجی، ذرات زیرمیکرونی بوده، و در ولتاژهای بالاتر از ۷/۵ کیلوولت، غالب ذرات خروجی، ذرات بزرگ تر از میکرون می باشند. با توجه به مقادیر مربوط به کارایی سیستم برای ذرات مختلف، ملاحظه می گردد که سیستم DMA ساخته شده برای ذرات نانومتری کارایی بالاتری داشته است.

### بحث

دستگاه DMA ساخته شده در این مطالعه دارای طول ۴۳۸/۴۴ میلیمتر، قطر خارجی ۷۶ میلیمتر، طول ناحیه طبقه بندی ۱۶۰ میلیمتر و قطر الکتروود مرکزی و بیرونی به ترتیب ۲۰ و ۵۵ میلیمتر بوده و الکتروود داخلی از جنس مس، الکتروود بیرونی از جنس فولاد ضد زنگ و سایر

۲ کیلو ولت مد نظر قرار گرفته است چرا که بر اساس نتایج حاصل از آزمایشات تاثیر میدان الکتریکی در جداسازی ذرات برای ولتاژهای کمتر از ۲ کیلو ولت ناچیز بوده و همانطور که در جدول شماره ۲ ملاحظه می گردد، کارایی سیستم DMA در محدوده ۶/۷-۹۲/۴ درصد بوده است. بر اساس مقادیر چارک سوم داده ها، برای ذرات ۳۰۰-۲۶۰ و ۷۰۰-۸۰۰ نانومتر، کارایی ۷۵ درصد از داده ها، به ترتیب کمتر از ۷۴/۳ و ۴۲/۷ درصد می باشد.

نتایج حاصل از آزمایشات انجام گرفته نشان داد که، در هر ولتاژ معینی، ذرات خروجی از سیستم DMA در دامنه بسیار کوچکی، حداکثر مقدار را داشته و از سایر ذرات بیشتر است. به عبارت دیگر، دستگاه در ولتاژ معینی برای سایر ذرات مانند فیلتر عمل کرده و از دریافت و عبور آنها جلوگیری می کند. اما در همین حال به دامنه ی خاصی از ذرات اجازه خروج می دهد. به این ترتیب هر دامنه از اندازه ذرات در یک ولتاژ خاص با حداکثر کارایی از سیستم DMA خارج شده اند، همانطور که این نتایج در شکل شماره ۳ نشان داده شده است. در این شکل، حداکثر کارایی سیستم برای ذرات ۳۰۰-۲۶۰ نانومتر در ولتاژ ۳ کیلوولت، ۹۱ درصد می باشد. هر چه اندازه ذرات بزرگ تر شده، حداکثر کارایی برای ذرات خروجی در ولتاژهای بالاتر به وقوع پیوسته است. بطوریکه ذرات بزرگ تر از ۲ میکرون، در ولتاژ ۹/۵ کیلوولت با حداکثر کارایی برابر با ۸۲/۴ درصد از دستگاه خارج



شکل ۲. طرح مونتاژی و قطعات مختلف دستگاه DMA ساخته شده

جدول ۲. آماره های توصیفی مربوط به کارایی سیستم DMA در دامنه های مختلف اندازه ذرات

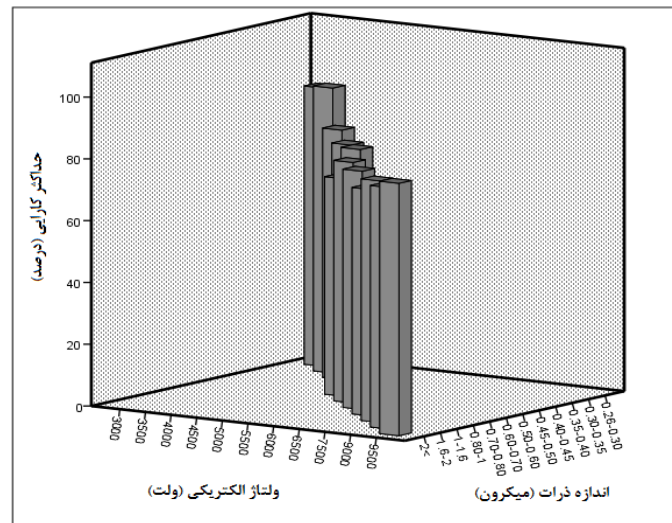
| آماره های توصیفی (%) |               |               |        |       | اندازه ذرات (nm) |
|----------------------|---------------|---------------|--------|-------|------------------|
| چارک سوم (Q3)        | چارک دوم (Q2) | چارک اول (Q1) | بیشینه | کمینه |                  |
| ۷۴/۳                 | ۲۴/۵          | ۱۰/۵          | ۹۱     | ۶/۷   | ۲۶۰-۳۰۰          |
| ۶۱/۷                 | ۲۷/۷          | ۱۴/۵          | ۹۲/۴   | ۷/۷   | ۳۰۰-۳۵۰          |
| ۵۷/۸                 | ۴۶            | ۲۱/۴          | ۸۲/۴   | ۸/۶   | ۳۵۰-۴۰۰          |
| ۶۲/۳                 | ۴۳            | ۲۳/۶          | ۷۹/۴   | ۹/۵   | ۴۰۰-۴۵۰          |
| ۵۳/۶                 | ۳۵/۸          | ۲۴            | ۸۰/۵   | ۸/۸   | ۴۵۰-۵۰۰          |
| ۴۶/۸                 | ۳۶            | ۲۵/۹          | ۷۱/۹   | ۱۱/۶  | ۵۰۰-۶۰۰          |
| ۵۴/۷                 | ۳۳/۷          | ۲۷/۵          | ۷۹/۹   | ۱۱    | ۶۰۰-۷۰۰          |
| ۴۲/۷                 | ۳۷/۹          | ۲۸/۶          | ۷۸/۲   | ۱۱/۲  | ۷۰۰-۸۰۰          |
| ۴۸/۱                 | ۳۷/۹          | ۲۷            | ۷۳/۶   | ۱۷/۴  | ۸۰۰-۱۰۰۰         |
| ۵۸/۱                 | ۳۷/۳          | ۲۹/۱          | ۷۹/۲   | ۱۷/۷  | ۱۰۰۰-۱۶۰۰        |
| ۵۱/۳                 | ۴۳            | ۲۷            | ۷۹     | ۱۵/۱  | ۱۶۰۰-۲۰۰۰        |
| ۵۳/۶                 | ۴۰/۲          | ۲۸/۲          | ۸۲/۴   | ۱۳/۹  | ۲۰۰۰<            |

دستگاه DMA ساخته شده توسط شیمادا و همکاران در سال ۲۰۰۵، دستگاه Viena DMA1/1000 ساخته شده توسط وینکلر و همکاران در سال ۱۹۹۱ (۲۲) و دستگاه DMA مورد استفاده در مطالعه استولزن برگ و همکاران (۲۳) جزو دستگاه های DMA بلند به شمار می آیند.

علت دسته بندی دستگاه های DMA براساس طول ناحیه طبقه بندی، به این خاطر است که تفاوت در طول ناحیه طبقه بندی منجر به تفاوت در گستره توزیع اندازه ذرات می گردد. به عبارت دیگر در شرایط عملیاتی یکسان، DMA های بلند تر برای توزیع اندازه ذرات درشت تر و DMA های کوتاه تر برای توزیع اندازه ذرات کوچک تر مناسب اند (۸). چرا که هر چه طول الکتروود مرکزی دستگاه بزرگ تر باشد، گستره وسیع تری از تحرک الکتریکی به ویژه مقادیر کمتر تحرک الکتریکی را نیز در بر می گیرد. با توجه به رابطه تحرک الکتریکی با قطر ذرات (معادله ۳) (۴)، که یک رابطه معکوس می باشد، دستگاهی که مقادیر کمتر تحرک الکتریکی را پوشش دهد به معنای این است که قادر به طبقه بندی ذرات درشت تر می باشد. از این رو، میجو و همکاران، در مطالعه خود که با هدف تعیین توزیع اندازه ذرات بزرگ تر از ۱ میکرون انجام شد از Long-DMA با طول ۹۰۰ میلیمتر (طول ناحیه طبقه بندی، قطر الکتروود مرکزی و بیرونی به ترتیب ۶۰۰، ۳۰ و ۵۰ میلیمتر) که از جنس فولاد ضد زنگ و تفلون بود، استفاده کردند. نتایج مطالعه آنان نشان داد که این طول از ناحیه طبقه بندی، برای تعیین توزیع اندازه ذرات

قطعات تشکیل دهنده دستگاه از جنس تفلون می باشند. دستگاه DMA ساخته شده در مطالعه حاضر از نظر ابعادی شباهت بسیاری به دستگاه ساخته شده توسط گرسکو در سال ۲۰۰۱ (۱۹) و اینترا و تیپی وانگ در سال ۲۰۰۶ (۲۰) دارد، با این تفاوت که این دو دستگاه چندکاناله و دستگاه ساخته شده در مطالعه حاضر تک کاناله می باشد. دستگاه DMA ساخته شده توسط ناتسن و ویتبی در سال ۱۹۷۵، دارای طول ناحیه طبقه بندی ۴۵۵/۲ میلیمتر و شعاع الکتروودهای داخلی و خارجی به ترتیب ۱۹ و ۳۸/۱۵ میلیمتر بود (۱۵). دستگاه مورد استفاده در مطالعه مالهولند و همکاران نیز دارای طول ناحیه طبقه بندی ۴۴۴/۴ میلیمتر و شعاع الکتروود داخلی و خارجی به ترتیب ۹/۳۷ و ۱۹/۵۸ میلیمتر بود (۲۱).

با توجه به طول ناحیه طبقه بندی، دو دستگاه مذکور، جزو دستگاه های DMA با طول معمولی به حساب می آیند. اما دستگاه ساخته شده در مطالعه حاضر با توجه به اینکه طول ناحیه طبقه بندی آن ۱۶۰ میلیمتر بود جزو دستگاه های DMA کوتاه یا short-DMA که دارای طول ناحیه طبقه بندی کوچک می باشند، محسوب می گردد. این دستگاه مشابه دستگاه DMA1/40 ساخته شده توسط وینکلر و همکاران بود که در سال ۱۹۹۱ ساخته شده و دارای طول ستون ۱۱۱ میلیمتر و شعاع های ۲۵ و ۳۳ میلیمتر بود (۲۲). دستگاه های DMA که طول ستون آن ها بیشتر از ۶۰۰ میلیمتر باشد در زمره دستگاه های DMA بلند یا Long-DMA قرار می گیرند.



شکل ۳. حداکثر کارایی سیستم DMA به ازای ولتاژ و اندازه ذرات

این مساله را بعنوان یک ویژگی کلیدی در طراحی DMA بیان کرده اند (۸، ۲۱). در مطالعه حاضر نیز این مساله مورد توجه قرار گرفته است.

مولهولند و همکاران در مطالعه خود که با هدف اندازه گیری ذرات استاندارد ۶۰ و ۱۰۰ نانومتری انجام شد، از نسبت جریان ۱ به ۴۰ (نرخ جریان هوا و آئروسول ورودی به دستگاه به ترتیب ۲۰ و ۰/۵ لیتر بر دقیقه) استفاده کردند (۲۱)، با توجه به اینکه هر چه نسبت دو جریان کوچک تر باشد بدین معناست که محدوده باریک تری از اندازه ذرات طبقه بندی می شوند (۲۱، ۲۶)، و از آنجایی که هدف مطالعه مذکور، اندازه گیری دو سایز خاص از ذرات (۶۰ و ۱۰۰ نانومتر) بوده، لذا نسبت دو جریان کوچک تر انتخاب شده است. فیسان و همکاران نیز در مطالعه خود از نسبت ۱ به ۲۰ برای نرخ جریان هوا و آئروسول ها استفاده کرده بودند (۲۶). اما در مطالعه حاضر با توجه به اینکه دستگاه شمارنده ذرات مورد استفاده در مطالعه، غلظت عددی ذرات را در طیف های مختلفی از اندازه ذرات (۱۲ دامنه) تعیین می کرد، نتیجتاً نیازی به در نظر گرفتن نسبت های کوچک تر از ۱ به ۱۰ احساس نشد.

با توجه به ماهیت عملکرد سیستم DMA، ولتاژی که در آن بیشترین تعداد ذرات در خروجی قابل مشاهده است، حائز اهمیت می باشد، چرا که این امر بیانگر تک توزیع شدن ذرات چند توزیعی ورودی به سیستم می باشد (شکل ۳). از طرفی نیز، با وجود آن که ذرات وارد شده به سیستم DMA، ذراتی در دامنه ای وسیع یعنی از ۲۶۰ نانومتر تا بزرگ تر از ۲ میکرومتر بوده اند، ولی اغلب

تا ۱/۵ میکرون نیز کارآمد است (۸). این در حالیست که اغلب دستگاه های DMA جهت اندازه گیری توزیع اندازه ذرات نانومتری طراحی شده اند (۲، ۲۴)، لیکن براساس مبانی نظری امکان استفاده از دستگاه های DMA برای ذرات بزرگ تر از ۱ میکرون به منظور بررسی ارتباط بین تحرک الکتریکی و اندازه ذرات، وجود دارد (۱۵، ۲۵). با توجه به مطالب عنوان شده، علت اینکه دستگاه DMA ساخته شده در این مطالعه در رده دستگاه های DMA با طول ستون کوچک (۱۶۰ میلیمتر) قرار گرفته است، تا حد زیادی ناشی از پیش فرض محاسبات عددی می باشد که برای ذره ای به قطر ۲۶۰ نانومتر انجام گرفته، چرا که هدف مطالعه حاضر بر طبقه بندی نانوذرات آئروسول متمرکز بوده است.

نرخ جریان هوای سیستم DMA نیز در تعیین گستره توزیع اندازه ذرات موثر می باشد، زیرا بر اساس مبانی نظری، زمان ماند ذرات در داخل دستگاه که بر باردار شدن ذرات و توزیع اندازه آن ها موثر است، تابع طول الکتروود مرکزی دستگاه و سرعت جریان هوا است (۶). در مطالعه حاضر نسبت نرخ جریان آئروسول های ورودی به نرخ جریان هوای ورودی ۱ به ۱۰ بوده، بطوریکه نرخ جریان هوا و آئروسول های ورودی به دستگاه DMA به ترتیب ۷ و ۰/۷ لیتر بر دقیقه و تحت شرایط ایزوکینتیک و سرعت جریان هوای داخل دستگاه برابر با ۶/۳ سانتیمتر بر ثانیه می باشد. مساله مهمی که در تنظیم جریان هوای دستگاه DMA می بایست مد نظر قرار گیرد این است که نرخ جریان هوای ورودی و خروجی از دستگاه برابر باشد. مولهولند و همکاران و میوجو و همکاران در مطالعه خود،

عددی ذرات آئروسول به منظور شناسایی رفتار ذرات، قوانین حاکم و انتخاب مکانیسم مناسب جمع‌آوری آن‌ها حائز اهمیت می‌باشد (۲۷، ۲۸). نتایج حاصل از این مطالعه نشان داد که با بکارگیری تجهیزات و امکانات موجود، و بهره‌گیری از مبانی نظری حاکم بر عملکرد سیستم‌های DMA، امکان ساخت و توسعه این قبیل سیستم‌ها و نیز سایر دستگاه‌هایی که بر اساس تحرک الکتریکی ذرات در یک میدان الکتریکی کار می‌کنند، وجود دارد. همچنین نتایج مطالعه حاضر نشان داد که سیستم DMA ساخته شده کارایی بالایی در تعیین توزیع اندازه ذرات در ابعاد ۲۶۰ نانومتر تا ۲ میکرون را داراست. سیستم DMA ساخته شده در این مطالعه ابزاری با ساختار نسبتاً ساده، کم‌هزینه و با وزن کم می‌باشد که می‌تواند ضمن طبقه‌بندی و تعیین توزیع اندازه ذرات، بعنوان ابزار کالیبراسیون و مولد ذرات تک‌توزیعی از یک بستر چندتوزیعی عمل کند.

### تقدیر و تشکر

این مقاله حاصل طرح مصوب شورای پژوهشی کمیته پژوهشی دانشجویان دانشگاه علوم پزشکی شهید بهشتی به شماره ثبت ۵۶۴۹۷/ص/۱۳۹۶ است. از کمیته پژوهشی دانشجویان و معاونت تحقیقات و فن‌آوری دانشگاه علوم پزشکی شهید بهشتی برای حمایت مالی از این مطالعه قدردانی می‌شود.

### منابع

- Weiling Li. Operation of differential mobility analyzers (DMAs): Department of environmental engineering. Washington University 2006.
- Intra P, Tippayawong N. An overview of differential mobility analyzers for size classification of nanometer-sized aerosol particles. *Songklanakarinn J Sci Technol*. 2008;30(2):243-56.
- McMurry PH. A review of atmospheric aerosol measurements. *Atmospheric Environment*. 2000;34(12):1959-99.
- Alfarra M. Insights into atmospheric organic aerosols using an aerosol mass spectrometer: University of Manchester; 2004.
- Bahrami A. Method of sampling and analysis of pollutants in air. Tehran: Fanavaran; 2015.
- Zhang Y. Indoor air quality engineering: CRC press Boca Raton, FL; 2005.
- Zhang S-H, Akutsu Y, Russell LM, Flagan RC, Seinfeld JH. Radial differential mobility analyzer. *Aerosol Science and Technology*. 1995;23(3):357-72.
- Myojo T, Ehara K, Koyama H, Okuyama K. Size measurement of polystyrene latex particles larger than

ذرات خارج شده از سیستم در هر ولتاژ، ذراتی با یک دامنه کوچک از اندازه ذرات بدهاند، میتوان به این نکته پی برد که سیستم AMD ساخته شده در اغلب ولتاژها، باعث سوق دادن ذرات چندتوزیعی به سمت یک روند تک‌توزیعی شده است. بطوریکه این روند تک‌توزیعی شدن برای ذرات کوچکتر (ذرات نانومتری) در ولتاژهای کمتر و برای ذرات بزرگتر (ذرات میکرونی)، در ولتاژهای بالاتر اتفاق افتاده است. زیرا در میدان‌های الکتریکی ضعیف‌تر، ذرات کوچک‌تر سریع‌تر با حداکثر ظرفیت خود باردار می‌شوند و تحرک الکتریکی لازم جهت خروج از شکاف نمونه بردار را بدست می‌آورند. این در حالیست که ذرات بزرگ‌تر به میدان‌های الکتریکی قوی‌تری احتیاج دارند. از طرفی ذرات بزرگ‌تر چون جرم و اینرسی بیشتری دارند، در نتیجه برای اینکه بتوان آن‌ها را از مسیر خود به سمت الکتروود مرکزی منحرف کرد به میدان‌های الکتریکی قوی‌تری احتیاج است (۶). این موضوع در مطالعات دیگر نیز گزارش شده، بطوریکه ژنگ و همکاران در مطالعه خود در سال ۱۹۹۵ نشان دادند که در ولتاژهای کمتر ذرات کوچک‌تر و در ولتاژهای بالاتر ذرات درشت‌تر به پیک خود در خروجی دستگاه رسیده‌اند (۷). همچنین در مطالعه‌ای که توسط میوجو و همکاران به منظور تعیین توزیع اندازه ذرات به کمک دستگاه DMA انجام گرفت، مشخص شد ذرات ۰/۹۴۰، ۱/۰۰۸، ۱/۰۳۴، ۱/۰۹۹، ۱/۱۰۰ و ۱/۲۷۴ میکرون به ترتیب در ولتاژهای ۵۷۰۰، ۶۶۰۰، ۷۰۰۰، ۸۰۰۰، ۷۱۰۰ و ۸۴۰۰ ولت به حداکثر غلظت عددی خود در خروجی دستگاه رسیده بودند (۸). بطوریکه این نتایج مطابق با نتایج مطالعه حاضر می‌باشند. وزن دستگاه DMA ساخته شده در این مطالعه ۲/۴ کیلوگرم بود که در مقایسه با وزن دستگاه مورد استفاده در مطالعه میوجو و همکاران (۸) (۹ کیلوگرم) کمتر می‌باشد. بخش اعظمی از این تفاوت وزن، به طول دو دستگاه مربوط می‌شود چرا که جنس قطعات تشکیل دهنده و قطر دو دستگاه مورد مقایسه تقریباً یکسان بوده ولی طول دستگاه مورد استفاده در مطالعه میوجو تقریباً ۲ برابر طول دستگاه ساخته شده در مطالعه حاضر است. بنابراین دستگاه ساخته شده در مطالعه حاضر ابزاری با ساختار نسبتاً ساده، کم‌هزینه و با وزن کم می‌باشد.

### نتیجه‌گیری

این مقاله به توصیف سیستم تحلیل‌گر دیفرانسیلی تحرک الکتریکی ذرات جهت طبقه‌بندی و تعیین توزیع اندازه ذرات پرداخته است. تعیین توزیع اندازه و غلظت



- and Innovation for Sustainable Development, Khon Kaen, Thailand, January. 2006(25-27):358-62.
21. Mulholland GW, Donnelly MK, Hagwood CR, Kukuck SR, Hackley VA, Pui DY. Measurement of 100 nm and 60 nm particle standards by differential mobility analysis. *Journal of Research of the National Institute of Standards and Technology*. 2006;111(4):257-312.
  22. Winklmayr W, Reischl G, Lindner A, Berner A. A new electromobility spectrometer for the measurement of aerosol size distributions in the size range from 1 to 1000 nm. *Journal of Aerosol Science*. 1991;22(3):289-96.
  23. Stolzenburg M, Kreisberg N, Hering S. Atmospheric size distributions measured by differential mobility optical particle size spectrometry. *Aerosol Science and Technology*. 1998;29(5):402-18.
  24. Mulholland GW, Bryner NP, Croarkin C. Measurement of the 100 nm NIST SRM 1963 by differential mobility analysis. *Aerosol Science and Technology*. 1999;31(1):39-55.
  25. Jung H, Mulholland GW, Pui DY, Kim JH. Re-evaluation of the slip correction parameter of certified PSL spheres using a nanometer differential mobility analyzer (NDMA). *Journal of Aerosol Science*. 2012;51:24-34.
  26. Fissan H, Hummes D, Stratmann F, Büscher P, Neumann S, Pui D, et al. Experimental comparison of four differential mobility analyzers for nanometer aerosol measurements. *Aerosol Science and Technology*. 1996;24(1):1-13.
  27. Yarahmadi R, Moradi GH, Sadighzadeh A, Rezaei Fard B, Bakand S, Farshad A. Qualitative and quantitative characteristics of airborne radioactive particles in the Tehran Research Reactor Iran Occupational Health Journal. 2012.
  28. Moradi GR, Sadighzadeh A, Yarahmadi R, Bakand S, Farshad AA, Rzaipour B, et al. Collection efficiency of ulpa filter operating on the removal of nano-sized aerosol particles. *Iran Occupational Health Journal*. 2013;10(2):1-1.
  - 1 micrometer using a long differential mobility analyzer. *Aerosol science and technology*. 2004;38(12):1178-84.
  9. Erikson HA. On the nature of the negative and positive ions in air, oxygen and nitrogen. *Physical Review*. 1922;20(2):117-26.
  10. Erikson HA. On the effect of the medium on gas ion mobility. *Physical Review*. 1927;30(3):339-47.
  11. Zeleny J. The distribution of mobilities of ions in moist air. *Physical Review*. 1929;34(2):310-34.
  12. Chapman S. Carrier mobility spectra of spray electrified liquids. *Physical Review*. 1937;52(3):184-90.
  13. Hewitt G. The charging of small particles for electrostatic precipitation. *Transactions of the American Institute of Electrical Engineers, Part I: Communication and Electronics*. 1957;76(3):300-6.
  14. Liu BY, Pui DY. On the performance of the electrical aerosol analyzer. *Journal of Aerosol Science*. 1975;6(3-4):249-64.
  15. Knutson E, Whitby K. Aerosol classification by electric mobility: apparatus, theory, and applications. *Journal of Aerosol Science*. 1975;6(6):443-51.
  16. Seto T, Nakamoto T, Okuyama K, Adachi M, Kuga Y, Takeuchi K. Size distribution measurement of nanometer-sized aerosol particles using DMA under low-pressure conditions. *Journal of Aerosol Science*. 1997;28(2):193-206.
  17. Chapman SJ. *Fortran 90/95 for scientists and engineers*: McGraw-Hill, Inc.; 2003.
  18. Fasih-Ramandi F. Construction feasibility study of a Differential Mobility Analyzer (DMA) for Nano particle size distribution measurement of aerosol [dissertation] 2018.
  19. Graskow BR. Design and development of a fast aerosol size spectrometer: Ph.D. Thesis, University of Cambridge, UK. 2001.
  20. Intra P, Tippayawong N. An electrical mobility spectrometer for aerosol size distribution measurement. *Proceedings of International Conference on Technology*